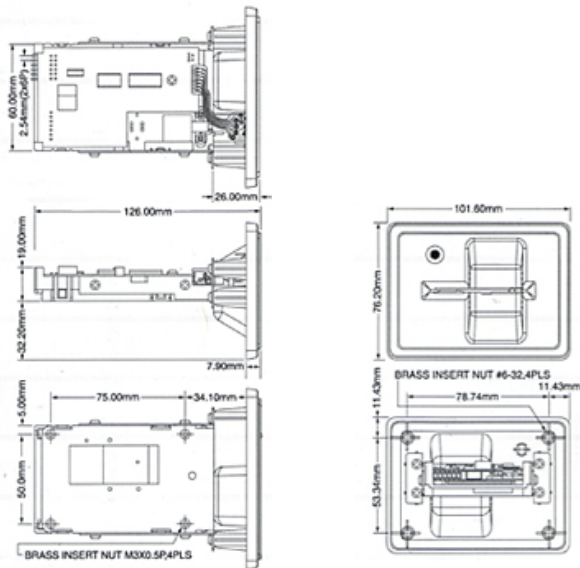


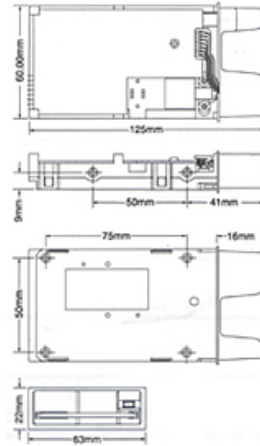
MSR140 Series

Manual Insert Magnetic Card Reader

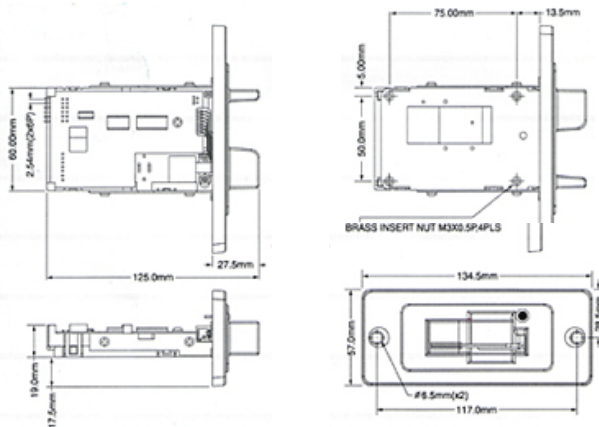
MSR140 With M type bezel



MSR140 With B type bezel



MSR140 With A type bezel



Specification	
Electrical	
Power Requirements	+5VDC \pm 10%, (9VDC optional)
Consumption	Typical 60mA Max.
Power adapter	120VAC/5VDC, 350mA regulated 230VAC/5VDC optional
Communication	Standard RS232 signal level
Mechanical	
Body Material	ABS 94V-0+15%GF & PC94V-0
Weight	Approx. 185g
Indicator	LED light indicate card in position
Environment	
Operating	-10 to 55°C, 10 to 85% humidity
Storage	-20 to 70°C, 10 to 90% humidity
Agency Approval	
Rating	FCC class A, CE class A, UL, cUL
Performance	
Read card	Bidirectional insert and/or eject
Read card format	Track1 Track2 Track3
Bit density	210 bpi 75 bpi 210 bpi
Coercive force	Read 300-400 Oe Magnetic Stripe
Read speed	STD card jitter \pm 15% Amp.60%
	4-40ps 5-35ps 5-35ps
Card thickness	0.76-1.2mm
Error rate	Read < 0.5%
Head life	500K pass life, 1M life optional