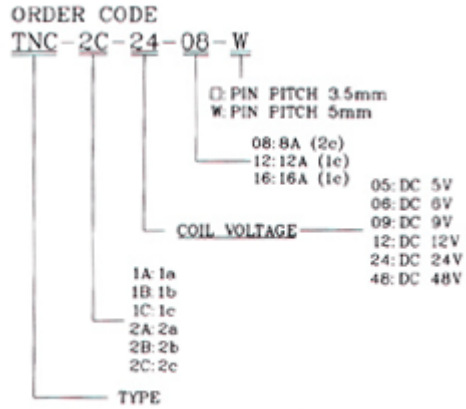


# TNC SERIES



**Main Features:**

- Slim type and Low profile (29.00 x 12.70 x 15.70) is developed to provide end user with more flexibility in PCB design.
- SPST through DPDT contact arrangements.
- 1pole (16amps) and 2pole (8amps) version are available with switching.
- 5,000 VAC dielectric strength (contact to coil).

## COIL RATING (at 20°C)

Nominal Voltage (VDC)	COIL Resistance ( $\Omega$ )(+/-10%)	Power Consumpt -10N(W)	Nominal Current (mA) (+/-10%)	Pull In Voltage (VDC)	Drop Out Voltage (VDC)	Max. Allowable Voltage (VDC)
5V	63 $\Omega$	0.40W	66.7mA	70% Max.	10% Min.	110%
6V	90 $\Omega$		66.7mA			
9V	203 $\Omega$		66.7mA			
12V	360 $\Omega$		33.3mA			
24V	1440 $\Omega$		16.7mA			
48V	5520 $\Omega$	0.42W	8.7mA			

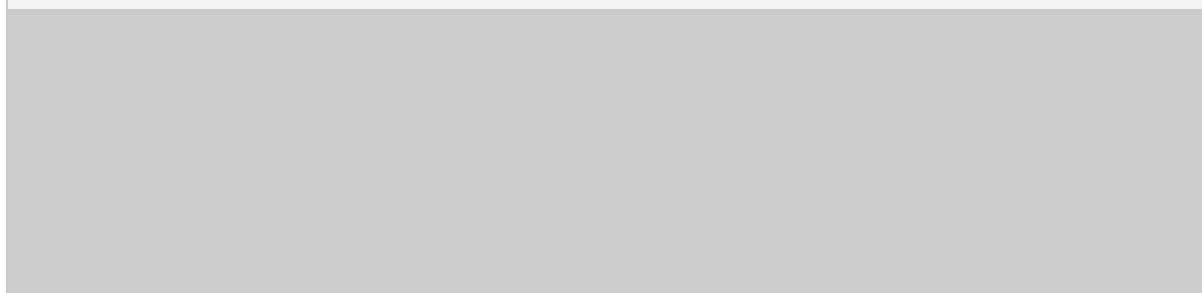
## PERFORMANCE (at initial value)

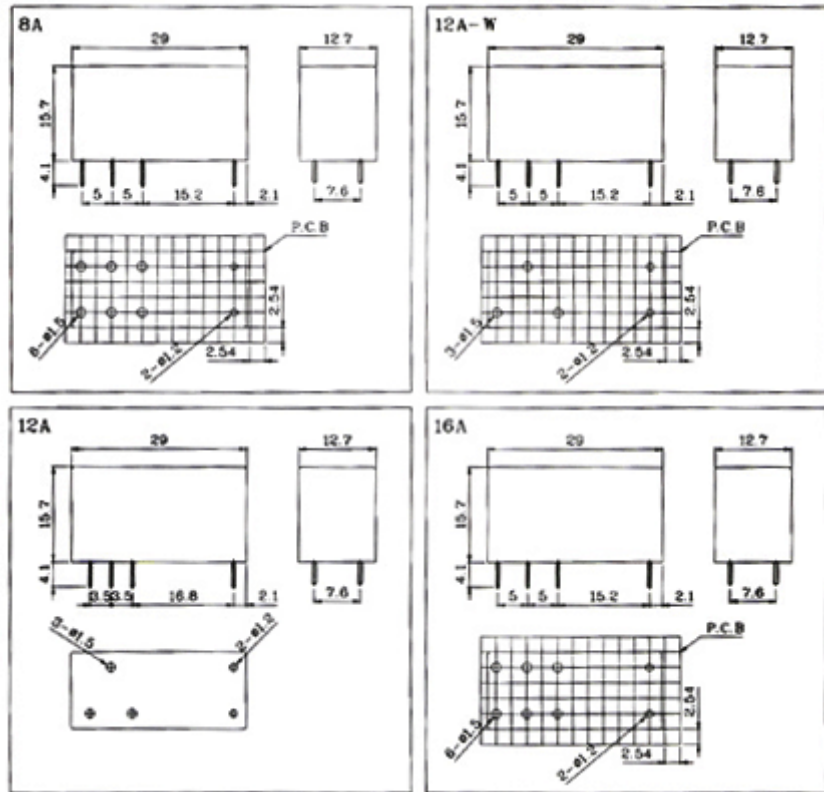
Item \ Type	8A (2c)	12A (1c)	16A (1c)
Contact Resistance	100mΩ Max (initial value)		
Operate Time	20m sec Max.		
Release Time	8m sec Max.		
Dielectric Strength between coil & contact between contact	Ac5000V (1min.) Ac1000V (1min.)		
Insulation Resistance	1000MΩ Min. (DC500V)		
Operating Ambient Temperature	-40°C ~ +70°C		
Humidity	35 to 85% RH		
Vibration Resistance	10G (10~50Hz) (Dual amplitude: 1.5mm)		
Shock Resistance	10G		
Life Expectancy Mechanically Electrically	30,000,000 ops . Min. (7200 ops./h) 100,000 ops. Min. (360 ops./h)		
Weight	13.5g (about)		

## CONTACT RATING

Item \ Type	8A (2c)	12A (1c)	16A (1c)
Rated Carrying Current	AC 250V 8A DC30V 8A	AC 250V 12A DC30V 12A	AC 250V 16A DC30V 16A
Max. Allowable Current	8A	12A	16A
Max. Allowable Voltage	AC250V DC 110V		
Max Current (continual)	8A	12A	16A
Min. Load	DC 10V 10mA		
Contact Material	Ag Alloy		

## DIMENSIONS (Unit: mm)





WIRING DIAGRAMS (Bottom View)

