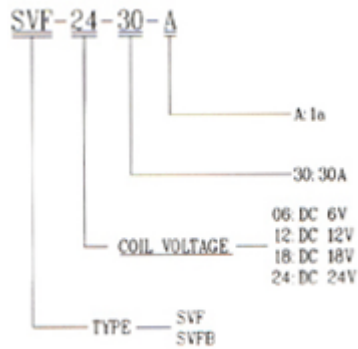


# SVF(M) SERIES

## ORDER CODE



### Main Features

- 1 form A (SPST) contact form.
- Surge strength 4,000 VAC.
- High current 30A/250VAC in small relay.
- PCB mounting and quick connect terminals be used for various application.

## COIL RATING (at 20°C)

Nominal Voltage (VDC)	Coil resistance (Ω) (+-10%)	Power Consumpt -10 N (W)	Nominal Current (mA)(+-10%)	Pull In Voltage (VDC)	Drop Out Voltage (VDC)	Max Allowable Voltage (VDC)
6V	30Ω	1.2W	200.0mA	70% Max.	10% Min.	30%
12V	120Ω		100.0mA			
24V	480Ω		50.0mA			
48V	1920Ω		25.0mA			

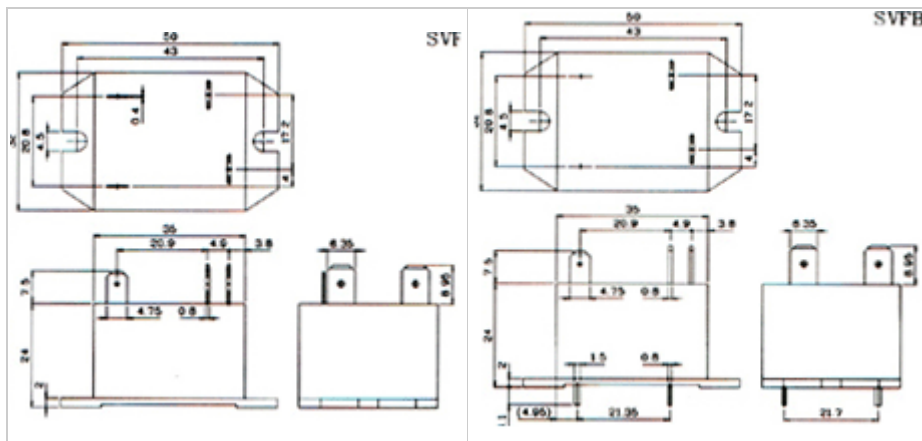
## PERFORMANCE (at initial value)

Item \ Type	20A
Contact Resistance	100mΩ Max (initial)
Operate Time	20m sec Max.
Release Time	10m sec Max.
Dielectric Strength between coil & contact between contact	Ac4000V (1min.) Ac1200V (1min.)
Insulation Resistance	1000MΩ Min. (DC500V)
Operating Ambient Temperature	-40°C ~ +70°C
Humidity	35 to 85% RH
Vibration Resistance	10G (10~50Hz) (Dual amplitude: 1.5mm)
Shock Resistance	10G
Life Expectancy Mechanically Electrically	10,000,000 ops . Min. (1800 ops./h) 100,000 ops. Min. (1200 ops./h)
Weight	553g (about)

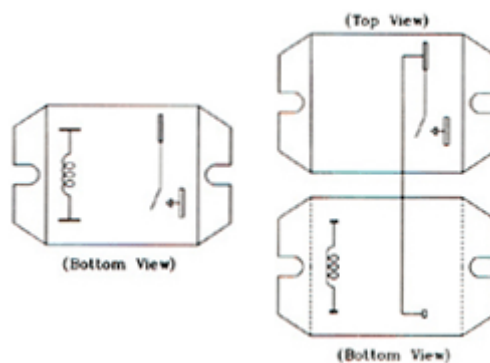
## CONTACT RATING

Item \ Type	30A
Rated Carrying Current (motor load 2HP)	AC 250V 30A DC 30V 30A
Max. Allowable Current	35A
Max. Allowable Voltage	AC 250V 30A DC 30V 30A
Motor Load	AC 250V 2HP
Max Current (continual)	30A
Contact Material	Ag Alloy

## DIMENSIONS (Unit: mm)



## WIRING DIAGRAMS (Bottom View)



## REFERENCE DATA

