

RAM SERIES

ORDER CODE

RAM-12

COIL VOLTAGE

- 06: DC 6V
- 09: DC 9V
- 10: DC 10V
- 12: DC 12V
- 24: DC 24V

TYPE



Main Features:

- Automotive Relay.
- Contact rating up to 20amps
- Size: 15.40x 12.10x 13.70
- High Performance and Low profile.

COIL RATING (at 20°C)

Nominal Voltage (VDC)	Coil Resistance (Ω) (+-10%)	Power Consumpt -10N (W)	Nominal Current (mA)(+-10%)	Pull In Voltage (VDC)	Drop Out Voltage (VDC)	Max Allowable Voltage (VDC)
6V	60 Ω	0.6W	100.0mA	75% Max.	10% Min.	110%
9V	135 Ω		66.7mA			
10V	180 Ω		55.6mA			
12V	240 Ω		50.0mA			
24V	960 Ω		25.0mA			

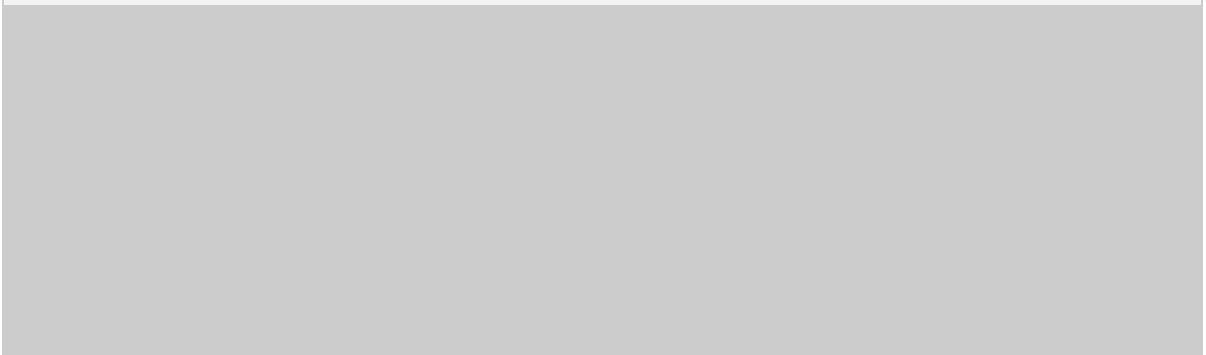
PERFORMANCE (at initial value)

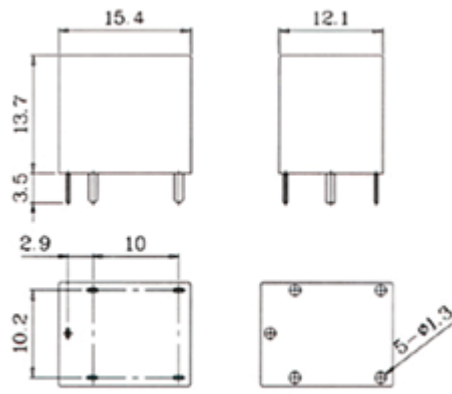
Item \ Type	20A
Contact Resistance	100m Ω Max (initial)
Operate Time	10m sec Max.
Release Time	5m sec Max.
Dielectric Strength between coil & contact between contact	Ac1000V (00/60Hz 1min.) Ac500V (50/600Hz 1min.)
Insulation Resistance	100M Ω Min. (DC500V)
Operating Ambient Temperature	-30°C ~ +80°C (No freezing)
Vibration Resistance	Operating Extremes: 10 ~ 55Hz, Amplitude: 1.0mm Damage Limits: 10 ~55Mhz, Amplitude: 1.0mm
Shock Resistance	Operating Estremes: 10G Damage Limits: 100G
Life Expectancy Mechanically	10.000,000 ops . Min. (1800 ops./h)
Electrically	DC 14V - 20A motol free 200,000 Operations minimum DC 14V - 20A motol free 400,000 Operations minimum 100,000 ops. Min. (1200 ops./h)
Weight	10g (about)

CONTACT RATING

Item \ Type	20A
Rated Carrying Current	DC 14V 20A
Max. Allowable Current	25A
Max. Allowable Voltage	DC 18V
Max Current (continual)	20A
Min. Load	DC 10V 10mA
Contact Material	Ag Alloy

DIMENSIONS (Unit: mm)





PCB LAYOUT

WIRING DIAGRAMS (Bottom View)

1c

